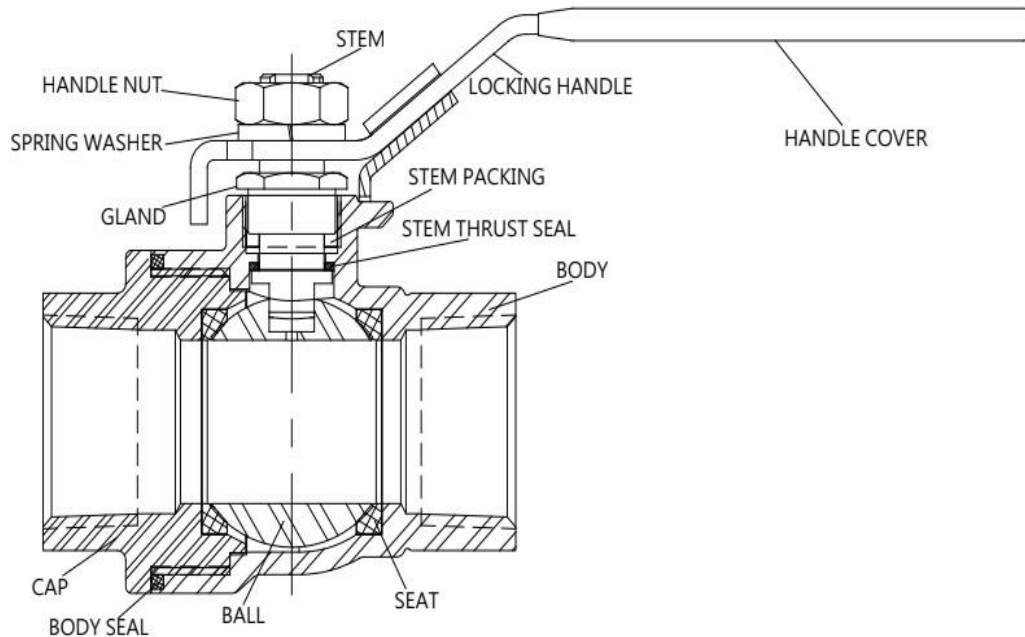


Series N20SXT: Two Piece Vented Ball, Vented Body Ball Valve Installation, Operation, and Maintenance Instructions



INSTALLATION:

- These valves may be installed in the pipeline in any orientation, using good piping practice. **When installing the valve, make sure that the flow arrow on the valve points in the required direction of flow.** For threaded end valves, use a suitable joint compound or TFE tape on pipe threads for ease of fit-up.
- **When the valve is in the closed position the relief hole in the ball is on the upstream side. The arrow has a marking indicating the relief hole position and an arrow pointing to the downstream direction.**

OPERATION:

These are quarter-turn (90° rotation) ball valves and are normally fitted with a latching lever handle for manual operation. The handles also contain travel stop tabs at the open and closed positions. To open the valve, lift the latch/lock slider up, and turn the handle counterclockwise. To close the valve, lift the latch/lock and turn the handle clockwise.



833-831-2312 | 885 Cambridge Dr., Elk Grove Village, IL 60007 | www.chicagovalves.com

MAINTENANCE:

----WARNING----
**Do not attempt to perform
maintenance on valves in
pressurized lines.**

Stem Seal Adjustment:

If leakage is evident from the stem packing area, tighten the gland nut (#9) 1/8 turn. If the leakage persists, repeat tightening. When leakage cannot be corrected by tightening the gland nut, replacement of the valve will be necessary.



833-831-2312 | 885 Cambridge Dr., Elk Grove Village, IL 60007 | www.chicagovalves.com